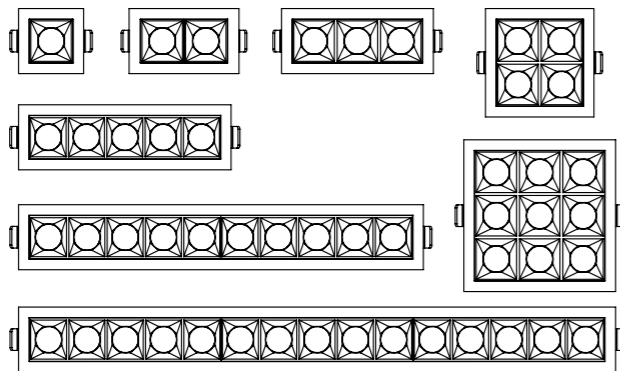
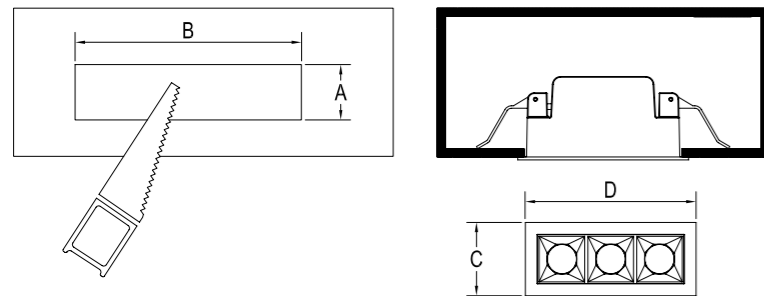


Type A Symmetrisch



**Schritt 1**

Open a hole according to the cutout size of the lamp.



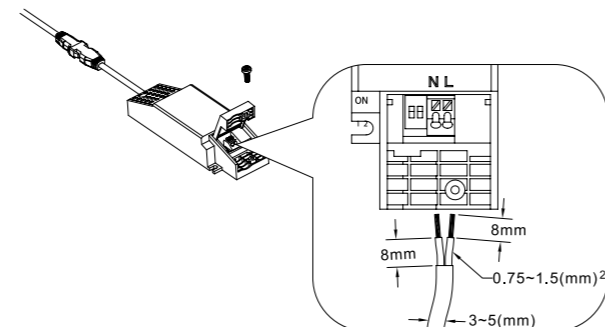
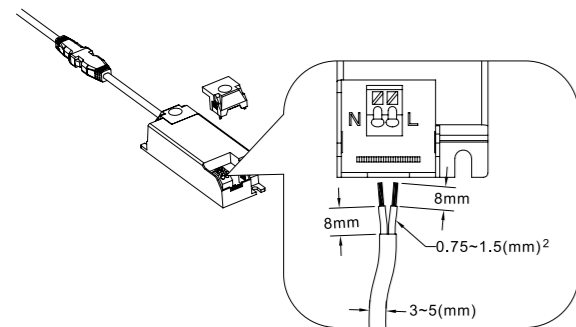
AxB mm	CxDmm
37x37	45x45
68x37	76x45
97x37	105x45
67x67	75x75
139x37	147x45
97x97	105x105
272x37	280x45
405x37	413x45

**Schritt 2**

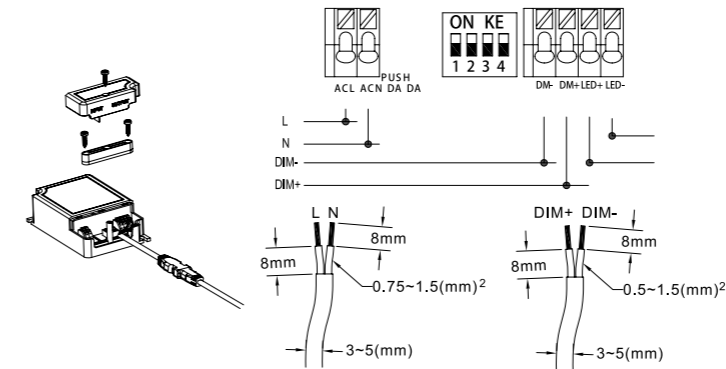
Remove the driver cover, do wire connection accordingly, then fix the driver cover.

2.1 Non-dimmable driver

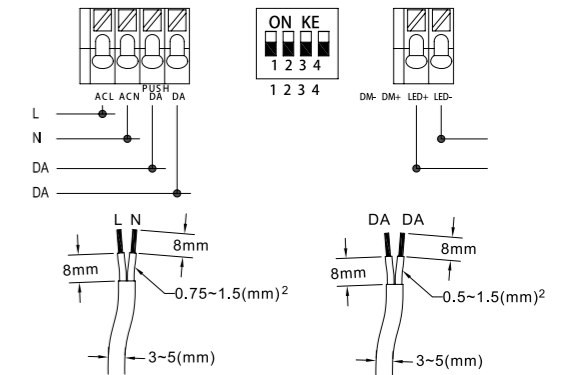
2.2 RPC triac dimmer (10%-100%)



2.3 0-10V dimmable driver

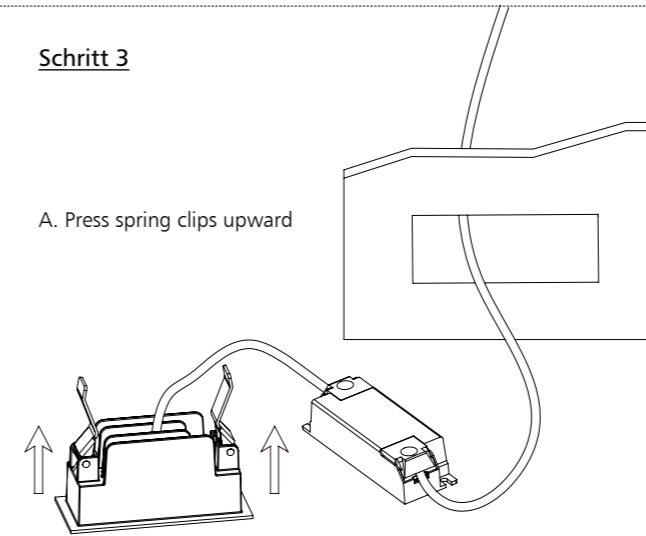


2.4 DALI dimmable driver



**Schritt 3**

A. Press spring clips upward



B. Push downlight into position

**Schritt 4**

Release spring clips which will hold luminaire securely

